

# COMBi-FSE

## 5000 – 6000 kg

The electric 4 wheel Sideloader forklift designed for the safe, space saving and productive handling of long and bulky loads.

# COMBiLiFT

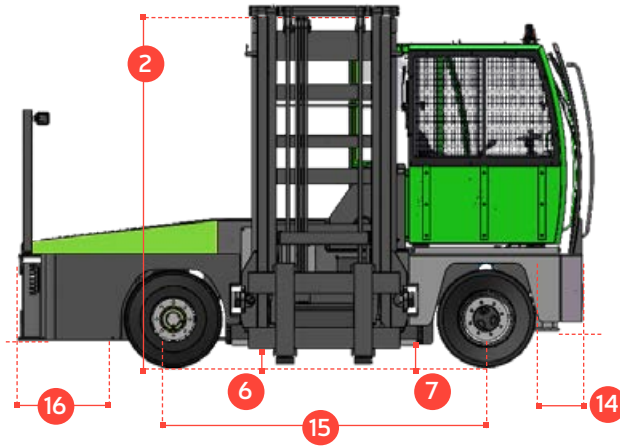
LIFTING INNOVATION



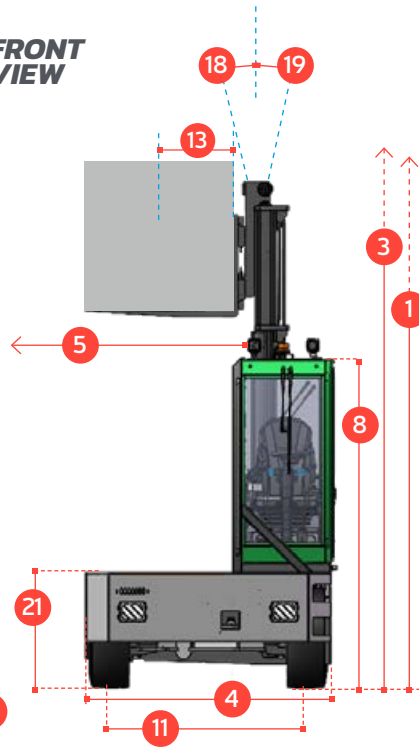
# COMBi-FSE

## 5000 – 6000 kg

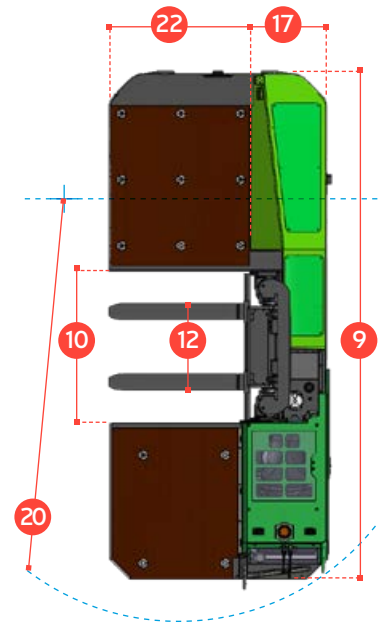
### SIDE VIEW



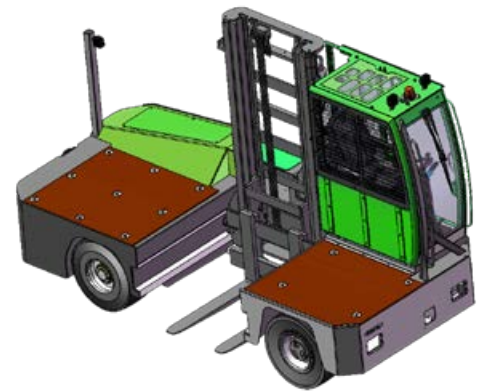
### FRONT VIEW



### OVERHEAD VIEW



REF.	DESCRIPTION	5000 FSE	6000 FSE
1a	Standard Lift Height	4040 mm	
1b	Freelift Height	0 mm	
2	Height Mast Closed	3035 mm	
3	Max. (Mast raised)	5150 mm	
4	Overall Width	2000 mm	
5	Mast Travel	1315 mm	
6	Ground Clearance Under Mast	300 mm	
7	Ground Clearance to Centre of Wheelbase	240 mm	
8	Height Over Cab (Without work lights)	2730 mm	
9	Overall Length	4600 mm	4700 mm
10	Frame Opening	1260 mm	
11	Track	1600 mm	
12	Outside Spread of Fork Arms	1400 mm	
13	Load Centre Distance	600 mm	
14	Overhang Front	800 mm	
15	Wheelbase	2600 mm	
16	Overhang Back	1200 mm	
17	Length From Face of Fork	800 mm	
18	Forward Tilt	3°	
19	Backward Tilt	5°	
20	Minimum Outside Radius	4200 mm	
21	Platform Height	950 mm	
22	Platform Length	1200 mm	
A	Capacity	5000kg	6000kg
B	Unladen Weight	11000kg	11500kg
C	Maximum Ground Speed	20km/h	
D	Gradeability	15%	
E	Battery Capacity	80 kWh	96 kWh
F	Cab Electrics	12V	
G	Fork Section 50mm x 200mm x	1200 mm	
H	Tyre Size	355/65-15 mm	
I	Standard Colour	Green & Grey	
J	Suspension Seat	BE-GE Air Suspension Seat	



### Features Include:

- Rubber mounted cabin
- 2 Wheel Steer
- 2 Wheel Drive
- Load Sensing Steering
- Tilting Chassis
- AC Motor Technology

### Distributed by:

**Continuous traction managed by steer angle**  
**- Patent Pending, Application no. GB2207946.1**

COMBILIFT HAS A POLICY OF CONTINUOUS PRODUCT DEVELOPMENT AND RESERVES THE RIGHT TO ALTER SPECIFICATIONS WITHOUT PRIOR NOTICE. SPECIFICATIONS AND/OR DIMENSIONS MAY VARY FROM THOSE ILLUSTRATED IN SOME COUNTRIES.